

4ft T8 LED tube Series UL Type A+B

Model # **EDI-T84F18-AB-50K G1** (DLC Listed)



JAMES

Industrial Supply Products

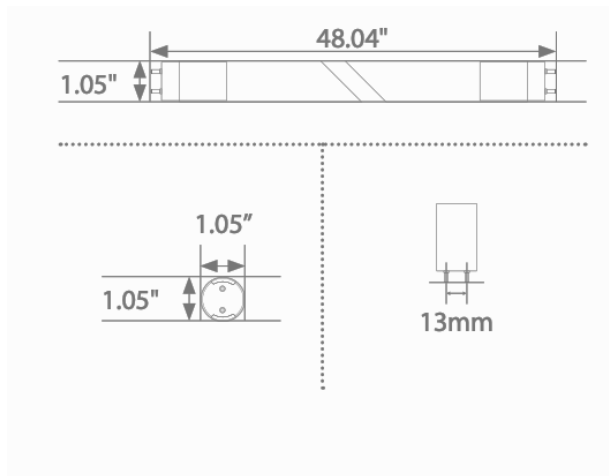
Whether you are seeking a plug-and-play option or a direct wire tube, this hybrid T8 LED tube makes installation quick and easy. Operating at only 18-Watts, this LED lamp saves up to 65 percent in energy cost and lasts twice as long than a 42-Watt fluorescent tube!

Polycarbonate lens provides even light distribution without losing brightness. Versatile hybrid lamp fits into shunted and non-shunted lamp holders Produces an ideal 3500K, 4000K or 5000K color temperature for task lighting. This product DLC eligible for energy rebate program.

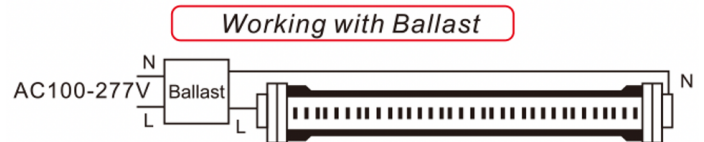
Technical Data

Brand	EDI
Light Output	2998 lm
Wattage	18 W
CRI	83
Total Harmonic Distortion	12.3%
Lumen Efficiency	165 lumens per Watt
Input Voltage	AC 100 ~ 277V
Frequency	50/60 Hz
Dimming Status	Continuous Dimming to 10% or below
Rated Life	50,000+ Hours
Power Factor	0.9
Housing	Aluminum + PC

Dimensions

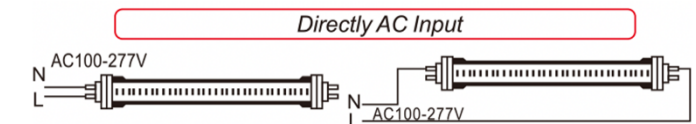


Wiring Instruction



Direct Replacement Procedure:

1. Turn off power to the fixture at the breaker panel before installation.
2. Open the diffuser from the light fixture.
3. Remove the fluorescent tubes and dispose of these properly as they may contain mercury.
4. Put LED tube into the lighting fixture and ensure the pins are firmly seated in lamp holders. Install the LED tubes and close the diffuser.
5. Switch ON power to the fixture at the breaker panel.



Retrofit Replacement Procedure:

1. Turn off power to the fixture at the breaker panel before installation.
2. Remove the fluorescent tubes and dispose of these properly as they may contain mercury.
3. Cut wire and remove fluorescent tubes.
4. Make a new wire connection to the branch circuit and bypass the ballast. Install the LED tubes and close the diffuser
5. Switch ON power to the fixture at the breaker panel.

Warranty

The manufacturer warrants this product to be free from defects in workmanship and materials, under normal residential use and conditions, for a period of five (5) year for the original invoice date. Shipping and handling fees are to be paid for by the customer. The manufacturer agrees, at its option during the warranty period, to repair and defect in material or workmanship or to furnish a repaired or refurbished product of equal value in exchange without charge (except for a fee for shipping, handling, packing, return postage, and insurance which will be incurred by the customer). Such repair or replacement is subject to verification of the defect or malfunction and proof of purchase as confirmed by showing the model number on original dated sales receipt.